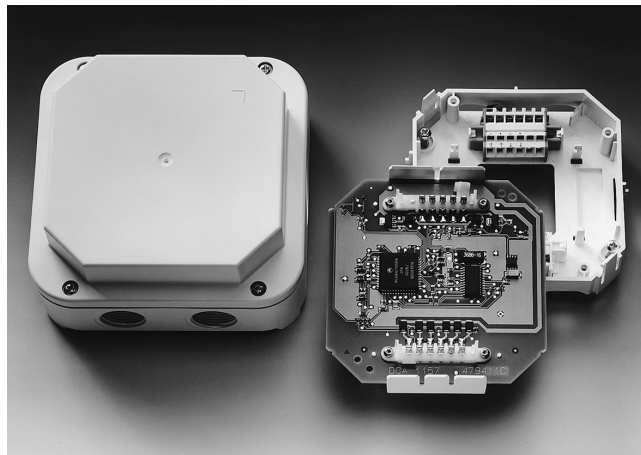


AlgoRex Synova™

Input/output module

DC1192



Interactive, AnalogPLUS/SynoLOOP, collective/SynoLINE600

- Input/output module, consisting of housing with cover DCA1191, switching unit DCA1192A, and terminal block DCB1192A
- Suitable for
 - Collective fire detection system as detector line coupler
 - Interactive and AnalogPLUS/SynoLOOP fire detection system for the connection of up to 25 fire detectors with collective/SynoLINE600 address, or for the connection of monitored alarm devices
- Operation with additional DC 24 V supply
- Microprocessor-controlled evaluation and line separation function
- Housing for surface mounting, with M20 thread for cable glands
- Robust design for use in dry, dusty, and humid areas

Function in the interactive and AnalogPLUS/SynoLOOP fire detection system

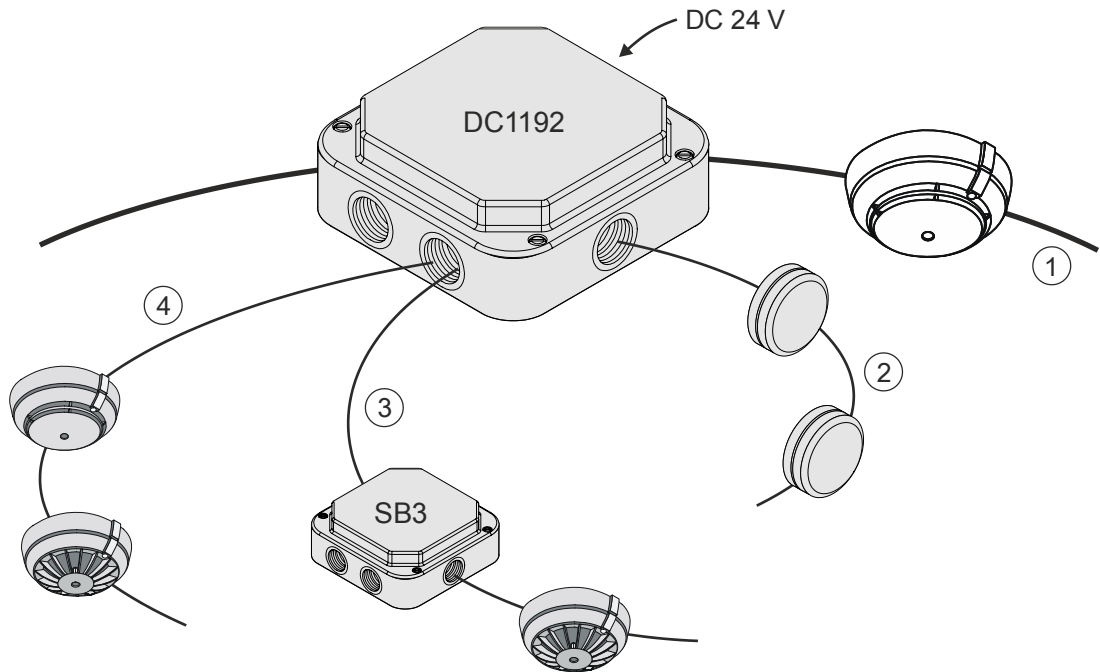
- The address is allocated during commissioning using the button on the switching unit.
- The correct addressing is indicated by the flashing LEDs.
- Button and LED are only accessible or visible when housing is open.

Use in the collective/SynoLINE600 fire detection system

- For galvanic isolation (detector line coupler) between the control panel and, for example, the safety barrier SB3 with fire detectors for areas at risk of explosion.

Use in the interactive and AnalogPLUS/SynoLOOP fire detection system

- For connecting fire detectors with a collective/SynoLINE address (special detectors or, via safety barriers, detectors for areas at risk of explosion) or for activating alarm devices.
- Direct connection to the line as bus participant.



1 Detector line/detector loop

3 Collective Ex/SynoLINE600-Ex

2 Control line
max. 2 A, 60 W

4 Collective/SynoLINE600
Max. 25 detectors

Built-in line separator

A short-circuit on the detector bus is located by the control panel and the defective part isolated between two devices. A loop installation ensures an optimum level of safety.

Type Overview

Type	Designation	Order number	Weight [kg]
DCA1191	Housing with cover	BPZ:4588560001	0.284
DCA1192A	Switching unit	BPZ:5081200001	0.083
DCB1192A	Terminal block	BPZ:5084500001	0.067

Accessories for the input/output module DC1192

Type	Designation	Order number	Weight [kg]
DBZ1190-AA	Auxiliary terminal, 0.28...0.5 mm ²	BPZ:4677080001	0.001
-	Metal cable gland M20 x 1.5	A5Q00004478	0.036
EOL22(Ex)	End-of-line	BPZ:5162220001	0.004

Product documentation

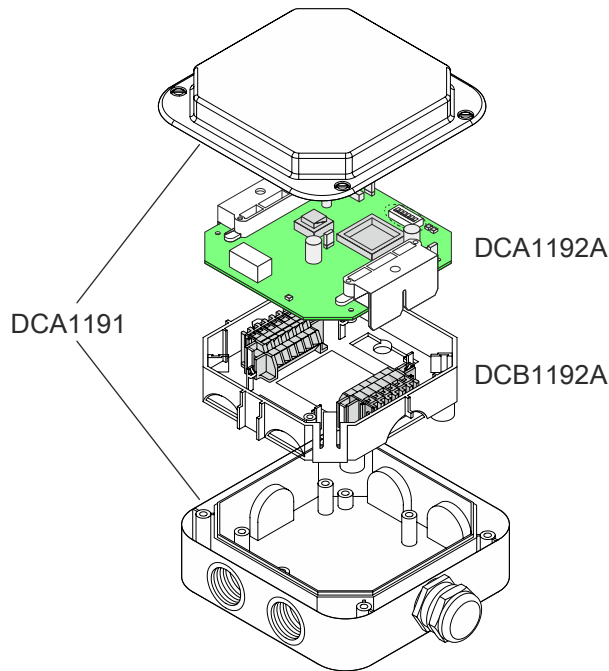
Document ID	Name
001204	Principles, applications, installation, maintenance Fire alarm signal in areas at risk of explosion
001508	Guidelines Connection factors, line resistances and capacitances for fire detection systems collective, AnalogPLUS, interactive, FDnet
001519	Installation instructions Input / output module DC1192
008331	List of compatibility (for 'Sinteso™' product line)
A6V10229261	List of compatibility (for 'Cerberus™ PRO' product line)

Related documents such as environmental declarations, CE declarations, etc., can be downloaded at the following Internet address:

<http://siemens.com/bt/download>

Mounting

The housing has six M20 threads for inserting the cables.



Installation

- For the installation, the housing with cover DCA1191 and the terminal block DCB1192A are required.
- The switching unit DCA1192A is only inserted once installation has been checked just before commissioning.

Disposal



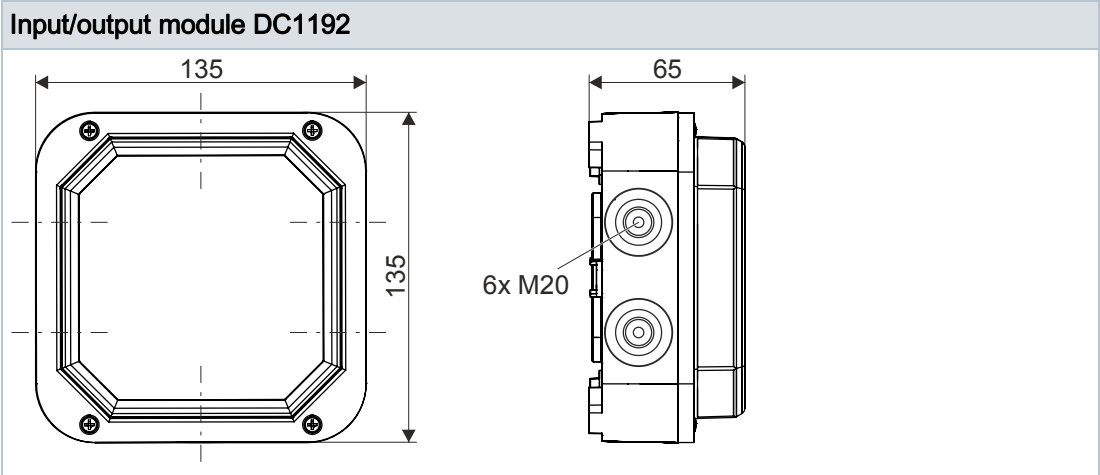
The device is considered an electronic device for disposal in accordance with the European Guidelines and may not be disposed of as domestic garbage.

- Dispose of the device through channels provided for this purpose.
- Comply with all local and currently applicable laws and regulations.

Technical data

Primary line	
Collective line/SynoLINE600	
<ul style="list-style-type: none"> Compatible with Connection factor KMK 	E3M080, CI1110/15, FC330A, FC10, FC700A, CZ10, KB24, GF24 1
Interactive line	
<ul style="list-style-type: none"> Compatible with Connection factor IMK Separator connection factor ITK 	E3M071, K3M071 2 1
Interactive line: Line separator	
Line voltage:	
<ul style="list-style-type: none"> Nominal Minimum Maximum 	DC 32 V (= V_{nom}) DC 21.2 V (= V_{min}) DC 33 V (= V_{max})
Voltage at which the line separator opens:	
<ul style="list-style-type: none"> Minimum Maximum 	DC 11.2 V (= $V_{SO min}$) DC 14.9 V (= $V_{SO max}$)
Voltage at which the line separator closes:	
<ul style="list-style-type: none"> Minimum Maximum 	DC 15.5 V (= $V_{SC min}$) DC 19.5 V (= $V_{SC max}$)
Permanent current when switches are closed	Max. 110 mA (= $I_{C max}$)
Switching current (e.g., in the event of a short-circuit)	Max. 200 mA (= $I_{S max}$)
Leakage current when switches are open	Max. 1 mA (= $I_{L max}$)
Serial impedance when switches are closed	Max. 0.55 Ω (= $Z_{C max}$)
The line separator is opened and closed independently of the operating range of the device.	
Required line voltage range	DC 11.2...33 V
AnalogPLUS/SynoLOOP	
<ul style="list-style-type: none"> Compatible with Connection factor APMK 	E3M11, K3M11, CI1115, FC330A, FC700A 3
AnalogPLUS/SynoLOOP line: Line separator	
Line voltage:	
<ul style="list-style-type: none"> Nominal Minimum Maximum 	DC 27 V (= V_{nom}) DC 16 V (= V_{min}) DC 28 V (= V_{max})
Voltage at which the line separator opens:	
<ul style="list-style-type: none"> Minimum Maximum 	DC 5 V (= $V_{SO min}$) DC 9 V (= $V_{SO max}$)
Voltage at which the line separator closes:	
<ul style="list-style-type: none"> Minimum Maximum 	DC 11.5 V (= $V_{SC min}$) DC 14.5 V (= $V_{SC max}$)

Permanent current when switches are closed	Max. 50 mA (= $I_{C \max}$)
Switching current (e.g., in the event of a short-circuit)	Max. 100 mA (= $I_{S \max}$)
Leakage current when switches are open	Max. 1 mA (= $I_{L \max}$)
Serial impedance when switches are closed	Max. 1.3 Ω (= $Z_{C \max}$)
The line separator is opened and closed independently of the operating range of the device.	
Required line voltage range	DC 5...33 V
Secondary line	
Collective line/SynoLINE600	
<ul style="list-style-type: none"> Operating voltage Operating current (quiescent) Line resistance, depends on the line type End-of-line Line code KLK 	DC 18...22 V Max. 5 mA 50...250 Ω EOL22(Ex) 25
External supply	
<ul style="list-style-type: none"> Operating voltage Quiescent current (standby) Operating current, collective line Operating current, control line Ripple 	DC 18...32 V ≤ 45 mA ≤ 0.15 A 0.2...2 A Max. 2 V _{pp}
Control line	
<ul style="list-style-type: none"> Operating voltage Operating current End-of-line resistance 	DC 18...32 V Max. 2 A, 60 W 3.01 k Ω , 1 %, 0.25 W
Cable cross section	0.2...2.5 mm ² (AWG24...14)
Operating temperature	-25...+70 °C
Storage temperature	-30...+75 °C
Air humidity	≤ 95 % rel.
Color	~RAL 9010 pure white
Protection category (IEC 60529) with housing DCA1191	IP56
Standards	EN 54-17, EN 54-18
Approvals	
<ul style="list-style-type: none"> VdS LPCB 	G298021 126bm/02



08 CE 0786	DC1192	Siemens Schweiz AG; Theilerstrasse 1a CH-6300 Zug Technical data: see doc. 001519
DC1192 - Input/output device incl. short-circuit isolator for use in fire detection and fire alarm systems installed in buildings.		
305/2011/EU (CPR): EN 54-18 / EN 54-17 ; 2014/30/EU (EMC): EN50130-4 / EN61000-6-3		
The declared performance and conformity can be seen in the Declaration of Performance (DoP) and the EU Declaration of Conformity (DoC), which is obtainable via the Customer Support Center: Tel. +49 89 9221-8000 or https://siemens.com/bt/download		
DoP No.: 0786-CPR-20512; DoC No.: CED-DC1192		

Issued by
Siemens Switzerland Ltd
Building Technologies Division
International Headquarters
Theilerstrasse 1a
CH-6300 Zug
Tel. +41 58 724 2424
www.siemens.com/buildingtechnologies

© Siemens Switzerland Ltd, 2015
Technical specifications and availability subject to change without notice.