



## DM1101 / DM1103 / DM1104 DM1103-L / DM1103-S

AlgoRex  
Synova™

### Manual call points Manual release button and emergency stop button

CE

collective/SynoLINE600

- Manual call point to all fire detection system control units with collective/SynoLINE600 detector evaluation
- Manual call point DM1101 with direct operation
- Manual call point DM1103 with indirect operation and DM1104 with direct operation
- Manual release button DM1103-L and emergency stop button DM1103-S for gas extinguishing system
- Two-wire installation

## Characteristics

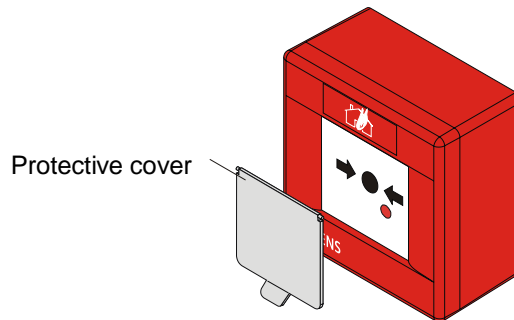
---

- **Environmental**
  - Ecologically processing
  - Recyclable materials
  - Electronic and synthetic material simple separable
- **Characteristics**
  - Protected electronic
  - Alarm indicator (LED) built-in

## Manual call point DM1101

---

A protective cover FDMC291 (accessory) protects the manual call point from unintentional glass break.



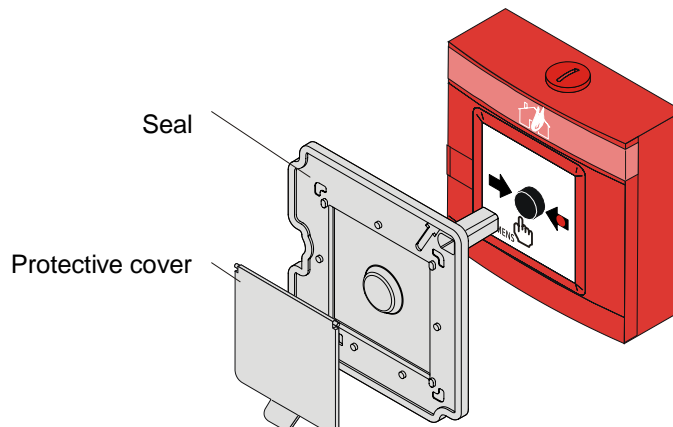
- **Function**
  - Direct alarm actuation by pushing in the glass plate
  - By replacing the glass plate the push button is set back and the device is ready for operation again.
- **Application**
  - For the immediate manual actuation of an alarm
  - For indoor and outdoor application
  - For surface- and recess-mounted feed lines in easily accessible places

## Manual call point DM1103 / DM1104

---

A protective cover DMZ1197-AC (accessory) protects the manual call point from unintentional glass break.

A seal DMZ1197-AD (accessory) protects the manual call point in wet applications.



- **Function DM1103**

- Indirect alarm actuation by pushing in the glass plate and pressing the push button
- To replace the glass plate, open the housing door with the key. The push button must be set back before closing the door again.

- **Function DM1104**

- Direct alarm actuation by pushing in the glass plate
- To replace the glass plate, open the housing door with the key, upon closing the door the button is reset

- **Application**

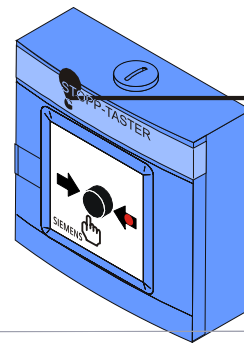
- For the immediate manual actuation of an alarm
- For indoor and outdoor application, equally suited for wet, humid and dusty areas
- For surface- and recess-mounted feed lines in easily accessible places

### **Manual release button DM1103-L (yellow) and emergency stop button DM1103-S (blue)**

---

A protective cover DMZ1197-AC (accessory) protects the manual release and emergency stop button from unintentional glass break.

A seal DMZ1197-AD (accessory) protects the manual release and emergency stop button in wet applications.



## Installation

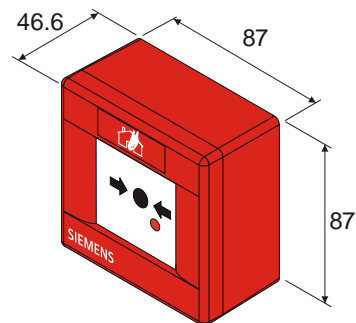
---

- For recess mounted feed lines, break out the break-out point in the housing bottom
- For surface-mounted feed lines to the DM1101, a hole must be drilled into the top or bottom of the detector housing (marking), use at max. cable gland M20
- For surface-mounted feed lines to the DM1103, DM1103-x / DM1104 the housing is equipped with opening at the top and bottom, with sealing studs for M20 cable glands or locking plug

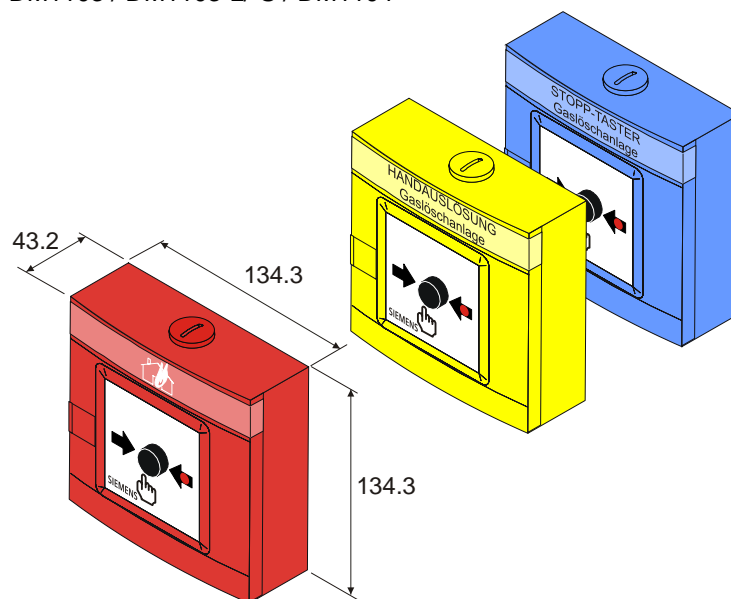
## Dimensions

---

DM1101





DM1103 / DM1103-L/S / DM1104




**Technical data DM1101 / DM1103 / DM1104**

	DM1101	DM1103 / DM1104	
Operating voltage	DC 16...26 V	DC 16...26 V	
Max. current, permanent	60 mA	60 mA	
Max. pulsed current	100 mA	100 mA	
Terminal block	0.28...1.5 mm <sup>2</sup>	0.28...1.5 mm <sup>2</sup>	
Operating temperature	-25...+70 °C	-25...+70 °C	
Storage temperature	-30...+75 °C	-30...+75 °C	
Humidity (no condensation)	m95 % rel.	m95 % rel.	
Connection factor KMK	1	1	
Color	red, ~RAL 3000 / blue, ~RAL 5005 yellow, ~RAL 1023 / green, ~RAL 6024	red, ~RAL 3000 / blue, ~RAL 5005 yellow, ~RAL 1023 / green, ~RAL 6024	
Protection category IEC 60529	IP44	IP41	
- with seal DMZ1197-AD	-	IP65	
Standards	EN 54-11	EN 54-11	
Approvals	DM1101	DM1103	DM1104
- VdS	-	G295036	G299068
- LPCB	-	-	531j/02
System compatibility	Compatible to all fire detection system control units with collective/SynoLINE600 detector evaluation		

08  0786	<b>DM1101</b>	Siemens Schweiz AG; Theilerstrasse 1a CH-6300 Zug Technical data: see doc. <b>007980</b>
DM1101 - Manual callpoint for use in fire detection and fire alarm systems installed in buildings.		
305/2011/EU (CPR): EN 54-11 ; 2014/30/EU (EMC): EN 50130-4 / EN 61000-6-3		
The declared performance and conformity can be seen in the Declaration of Performance (DoP) and the EU Declaration of Conformity (DoC), which is obtainable via the Customer Support Center: Tel. +49 89 9221-8000 or <a href="http://siemens.com/bt/download">http://siemens.com/bt/download</a>		
DoP No.: 0786-CPR-20498; DoC No.: CED-DM1101		

08  0786	<b>DM1103</b>	Siemens Schweiz AG; Theilerstrasse 1a CH-6300 Zug Technical data: see doc. <b>001720</b>
DM1103 - Manual callpoint for use in fire detection and fire alarm systems installed in buildings.		
305/2011/EU (CPR): EN 54-11 ; 2014/30/EU (EMC): EN 50130-4 / EN 61000-6-3 ; 2011/65/EU (RoHS): EN 50581		
The declared performance and conformity can be seen in the Declaration of Performance (DoP) and the EU Declaration of Conformity (DoC), which is obtainable via the Customer Support Center: Tel. +49 89 9221-8000 or <a href="http://siemens.com/bt/download">http://siemens.com/bt/download</a>		
DoP No.: 0786-CPR-20499; DoC No.: CED-DM1103		


08  0786	<b>DM1104</b>	Siemens Schweiz AG; Theilerstrasse 1a CH-6300 Zug Technical data: see doc. <b>001721</b>
DM1104 - Manual callpoint for use in fire detection and fire alarm systems installed in buildings.		
305/2011/EU (CPR): EN 54-11 ; 2014/30/EU (EMC): EN 50130-4 / EN 61000-6-3 ; 2011/65/EU (RoHS): EN 50581		
The declared performance and conformity can be seen in the Declaration of Performance (DoP) and the EU Declaration of Conformity (DoC), which is obtainable via the Customer Support Center: Tel. +49 89 9221-8000 or <a href="http://siemens.com/bt/download">http://siemens.com/bt/download</a>		
DoP No.: 0786-CPR-20500; DoC No.: CED-DM1104		


**Details for ordering DM1101 / DM1103 / DM1104**

	Type	Part no	Designation	Weight
DM1101	FDMH291-R	A5Q00002217	Housing red, with key	0.089 kg
	FDMH291-Y	A5Q00004979	Housing yellow, with key	0.089 kg
	FDMH291-B	A5Q00004980	Housing blue, with key	0.089 kg
	FDMH291-G	A5Q00004981	Housing green, with key	0.089 kg
Accessories	DMA1101	A5Q00005578	Switching unit	0.045 kg
	FDMC291	A5Q00001644	Protective cover	0.010 kg
	–	A5Q00004478	Metal screwed cable gland M20 x 1.5	0.039 kg
Spare parts	–	A5Q00004479	Back nut M20 x 1.5	0.006 kg
	FDMG291	A5Q00002122	Glass	0.006 kg
	FDMK291	A5Q00001643	Key with cover	0.030 kg
<hr/>				
DM1103 / DM1104	DMA1192-AA	BPZ:5222870001	Housing red, with glass and key	0.256 kg
	DMA1192-AB	BPZ:5464250001	Housing blue, with glass and key	0.256 kg
	DMA1192-AC	BPZ:5464120001	Housing yellow, with glass and key	0.256 kg
	DMA1192-AD	BPZ:5090190001	Housing green, with glass and key	0.256 kg
Accessories	DMA1103D	A5Q00004470	Switching unit to DM1103	0.067 kg
	DMA1104D	A5Q00005925	Switching unit to DM1104	0.070 kg
	DMZ1197-AC	BPZ:5223550001	Protective cover	0.012 kg
	DMZ1197-AD	BPZ:5470680001	Seal for wet areas	0.023 kg
	–	A5Q00004478	Metal screwed cable gland M20 x 1.5	0.039 kg
	–	A5Q00006735	Locking plug red, M20 x 1.5 (1 hole)	0.007 kg
	–	A5Q00010055	Locking plug red, M20 x 1.5 (2 holes)	0.007 kg
Spare parts	DMZ1196-AC	BPZ:4942050001	Glass	0.016 kg
	DMZ1195	BPZ:4851910001	Key	0.003 kg

**Technical data DM1103-L / DM1103-S**

	DM1103-L	DM1103-S Application with AlgoRex/SIGMASYS	DM1103-S Application with XC10
Operating voltage	DC 16...26 V	DC 16...26 V	DC 5 V
Max. current, permanent	60 mA	60 mA	5 mA
Max. pulsed current	100 mA	100 mA	–
Terminal block	0.28...1.5 mm <sup>2</sup>	0.28...1.5 mm <sup>2</sup>	
Operating temperature	-25...+70 °C	-25...+70 °C	
Storage temperature	-30...+75 °C	-30...+75 °C	
Humidity (no condensation)	m95 % rel.	m95 % rel.	
Connection factor KMK	1	1	
Color	yellow, ~RAL 1023	blue, ~RAL 5005	
Protection category IEC 60529	IP41	IP41	
– with seal DMZ1197-AD	IP65	IP65	
Standards	EN12094-3	EN12094-3	
Approvals			
– VdS	G206029	G206030	
System compatibility	Compatible to all fire detection systems with gas extinguishing		

06  0786	<b>DM1103-L</b>	Siemens Schweiz AG; Theilerstrasse 1a CH-6300 Zug Technical data: see doc. <b>009370</b>
DM1103-L - Electrical triggering device for use in fire detection and fire alarm systems installed in buildings.		
305/2011/EU (CPR): EN 12094-3 ; 2014/30/EU (EMC): EN 50130-4 / EN 61000-6-3 ; 2011/65/EU (RoHS): EN 50581		
The declared performance and conformity can be seen in the Declaration of Performance (DoP) and the EU Declaration of Conformity (DoC), which is obtainable via the Customer Support Center: Tel. +49 89 9221-8000 or <a href="http://siemens.com/bt/download">http://siemens.com/bt/download</a>		
DoP No.: 0786-CPR-20217; DoC No.: CED-DM1103-L		

06  0786	<b>DM1103-S</b>	Siemens Schweiz AG; Theilerstrasse 1a CH-6300 Zug Technical data: see doc. <b>009370</b>
DM1103-S - Electrical stop device for use in fire detection and fire alarm systems installed in buildings		
305/2011/EU (CPR): EN 12094-3 ; 2004/108/EC (EMC): EN 50130-4 / EN 61000-6-3 ; 2011/65/EU (RoHS): EN 50581		
Declared performance and conformity can be seen in the Declaration of Performance and the EC Declaration of Conformity, which is obtainable via the Customer Support Center: Tel. +49 89 9221-8000 or <a href="http://siemens.com/bt/download">http://siemens.com/bt/download</a>		
DoP No.: 0786-CPR-20218; DoC No.: CED-DM1103-S		

## Details for ordering DM1103-L / DM1103-S

	Type	Part no	Designation	Weight
MANUAL RELEASE complete for gas extinguishing system	DM1103-L	A5Q00017630	Housing yellow DMA1192-AC, switching unit DMA1103D (lock in), inscription plate MANUAL RELEASE gas extinguishing system, 2 locking plugs M20 x 1.5 (2 holes)	0.344 kg
EMERGENCY STOP complete for gas extinguishing system	DM1103-S	A5Q00014486	Housing blue DMA1192-AB, switching unit spec. (self reset), inscription plate EMERGENCY STOP gas extinguishing system, 2 locking plugs M20 x 1.5 (2 holes)	0.350 kg
Accessories	DMZ1197-AC	BPZ:5223550001	Protective cover	0.012 kg
	DMZ1197-AD	BPZ:5470680001	Seal for wet areas	0.023 kg
	–	A5Q00004478	Metal screwed cable gland M20 x 1.5	0.039 kg
	–	A5Q00010055	Locking plug red, M20 x 1.5 (2 holes)	0.007 kg
Spare parts	DMZ1196-AC	BPZ:4942050001	Glass	0.016 kg
	DMZ1195	BPZ:4851910001	Key	0.003 kg

## Disposal



Issued by  
Siemens Switzerland Ltd  
Building Technologies Division  
International Headquarters  
Theilerstrasse 1a  
CH-6300 Zug  
Tel. +41 58 724 24 24  
[www.siemens.com/buildingtechnologies](http://www.siemens.com/buildingtechnologies)

© Siemens Switzerland Ltd, 2015  
Technical specifications and availability subject to change without notice.