



SOL-LX-W, SOL-LX-C, RoLP-LX, RoLP

Sounder, beacon, and sounder- beacon alarm devices

-
- | **For fire detector and extinguishing systems**
 - | **Loud alarm signal clearly recognizable as a danger signal
– even in noisy environments**
 - | **Choose from a variety of tones and sound levels**
 - | **Choose beacon ranges and beacon frequencies**
 - | **For indoor and outdoor applications**
 - | **Low current consumption**
 - | **Conforms to EN 54-3 and EN 54-23**

RoLP/R/S & RoLP-W



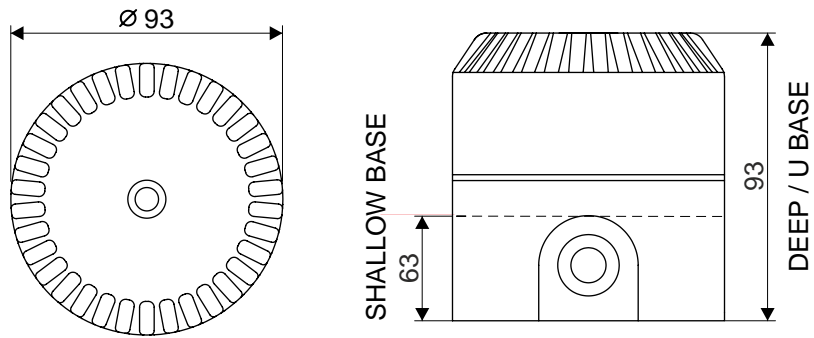
Use

- For general detection in the event of fire

Design

- White ABS plastic housing
- Base adapter for cable entry with cable gland
- Choose from 32 different tones
- Automatic synchronization
- Improved tone quality, reduced risk of confusion
- Second input for a second tone. This makes two-stage alarm activation possible.
- Adjustable sound level

Dimensional drawings



SOL-LX-W-RW & SOL-LX-W-WW (wall mounting)



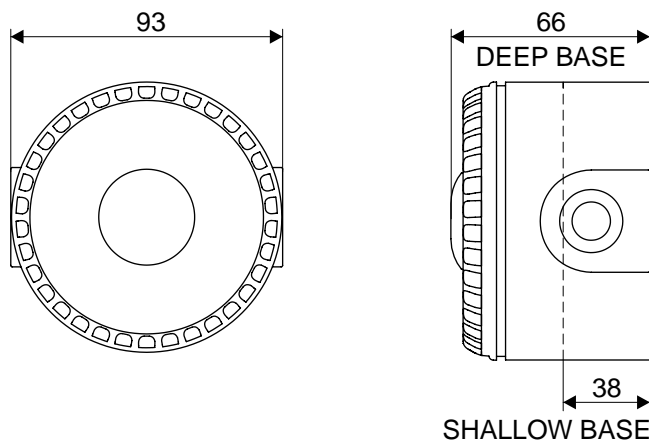
Use

- For universal use wherever current consumption plays a central role
- Ideal for bedrooms or bathrooms and lavatories

Design

- White or red ABS plastic housing for surface mounting
- Red or white beacon
- Very low current consumption
- Two adjustable signaling ranges ('W-2.4-7.5' and 'W-2.4-2.5')
- Adjustable beacon frequency (0.5 Hz or 1 Hz) for reduced current consumption

Dimensional drawings



SOL-LX-C-WW (ceiling mounting)



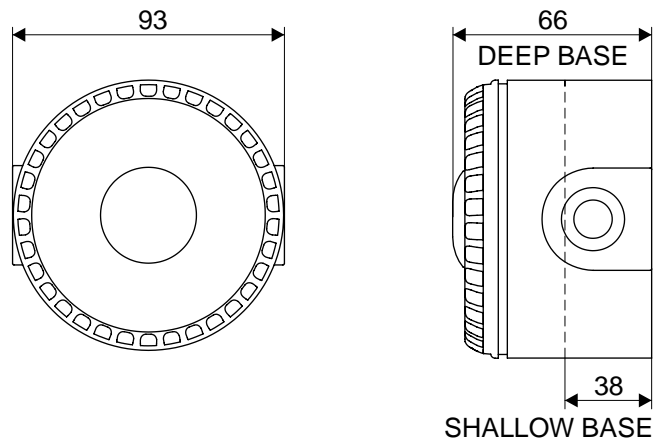
Use

- For universal use wherever current consumption plays a central role
- Ideal for bedrooms or bathrooms and lavatories

Design

- White or red ABS plastic housing for surface mounting
- Red or white beacon
- Very low current consumption
- Two adjustable signaling ranges ('C-3-7.5' and 'C-3-5' / 'C-3-3')
- Adjustable beacon frequency (0.5 Hz or 1 Hz) for reduced current consumption

Dimensional drawings



RoLP-LX-WW & RoLP-LX-RW (wall mounting)



Use

- For universal use wherever current consumption plays a central role
- Ideal for bedrooms or bathrooms and lavatories

Design

- White or red ABS plastic housing for surface mounting
- Red or white beacon
- Very low current consumption
- Two adjustable signaling ranges ('W-2.4-7.5' and 'W-2.4-2.5')
- Adjustable beacon frequency (0.5 Hz or 1 Hz) for reduced current consumption

Dimensional drawings



DAB-R & DAB-W



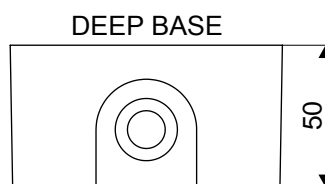
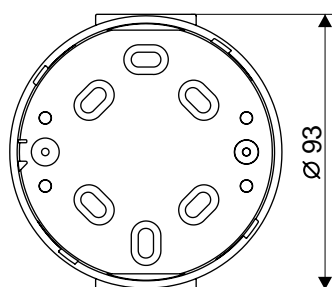
Use

- Surface-mounted base for the cables for all RoLP and SOL sounder alarm devices.

Design

- White or red ABS plastic

Dimensional drawings



Technical data

Type	RoLP/R/S / RoLP-W	RoLP-LX-RW / RoLP-LX-WW / RoLP-LX-RR / RoLP-LX-WR	SOL-LX-C-WW / SOL-LX-C-WR	SOL-LX-W-RW / SOL-LX-W-WW / SOL-LX-W-RR / SOL-LX-W-WR
Mode of mounting	Wall / ceiling	Wall	Ceiling	Wall
Operating voltage	DC 18...28 V	DC 18...28 V	DC 9...60 V	DC 9...60 V
Current consumption	15 mA	22...37 mA	10...25 mA	10...25 mA
Sound level	102 dB(A)	102 dB(A)	–	–
Range	–	7.5 m	7.5 m	7.5 m
Mounting height	–	2.4 m (max.)	3 m (max.)	2.4 m (max.)
Signaling range	–	Stage 1: W-2.4-7.5	Stage 1: C-3-7.5	Stage 1: W-2.4-7.5
		Stage 2: W-2.4-2.5	Stage 2 (white): C-3-5	Stage 2: W-2.4-2.5
			Stage 2 (red): C-3-3	–
Volume coverage	–	135 m ³	132 m ³	135 m ³
Beacon frequency	–	1 Hz	1 Hz	1 Hz
Operating temperature	-25...+70 °C	-25...+70 °C	-25...+70 °C	-25...+70 °C
Protection against polarity reversal	Yes	Yes	Yes	Yes
Protection category	IP54 (IP65 with DAB)	IP65	IP33C (IP65 with DAB)	IP33C (IP65 with DAB)
Housing	ABS white or red	ABS white or red	ABS white or red	ABS white or red
Beacon color	–	White / red	White / red	White / red

Details for ordering

Type	Art. no.	Designation	Weight
DAB-R	S54370-N27-A1	Base adapter - red	0.200 kg
DAB-W	S54370-N27-A2	Base adapter - white	0.200 kg
RoLP-LX-RW	S54370-N28-A1	Sounder / beacon alarm device with red housing and white beacon	0.250 kg
RoLP-LX-WW	S54370-N28-A2	Sounder / beacon alarm device with white housing and white beacon	0.250 kg
RoLP-LX-RR	S54370-N28-A4	Sounder / beacon alarm device with red housing and red beacon	0.250 kg
RoLP-LX-WR	S54370-N28-A3	Sounder / beacon alarm device with white housing and red beacon	0.250 kg
SOL-LX-C-WR	S54370-N29-A2	Beacon alarm device with white housing and red beacon for ceiling mounting	0.100 kg
SOL-LX-W-RR	S54370-N30-A3	Beacon alarm device with red housing and red beacon for wall mounting	0.100 kg
SOL-LX-W-WR	S54370-N30-A4	Beacon alarm device with white housing and red beacon for wall mounting	0.100 kg
SOL-LX-C-WW	S54370-N29-A1	Beacon alarm device with white housing and white beacon for ceiling mounting	0.100 kg
SOL-LX-W-RW	S54370-N30-A1	Beacon alarm device with red housing and white beacon for wall mounting	0.100 kg
SOL-LX-W-WW	S54370-N30-A2	Beacon alarm device with white housing and white beacon for wall mounting	0.100 kg
RoLP/R/S	GBI:1082507	Roshni sounder alarm device, red	0.205 kg
RoLP-W	S54370-N44-A1	Roshni sounder alarm device, white	0.205 kg

Siemens Switzerland Ltd
Building Technologies Division
International Headquarters
Gubelstrasse 22
CH-6301 Zug
Tel. +41 41 724 24 24
www.siemens.com/buildingtechnologies

© Siemens Switzerland Ltd, 2014

Technical specifications and availability subject to change without notice.

Document no. **A6V10423405_f_en_--**
Edition 2016-03-04