



## FDAI92-Ex / FDAI93-Ex

### Alarm indicators

For explosion-hazard areas for zones 1 and 2

- **FDAI92-Ex**
  - Modern flat design
  - Non-screw terminals
- **FDAI93-Ex**
  - Simple plug-in, expanding-spring socket

AlgoRex  
Synova™  
Sinteso™  
Cerberus® PRO



## Characteristics

---

- Alarm indicators are connected to automatic fire detectors in order to indicate quickly the source of an alarm signal from detectors which are not easily accessible or visible.
- The alarm indicators contain an indicator lamp unit with two integrated LEDs. They light up as soon as the connected fire detector gives an alarm.
- Only **one** external alarm indicator may be connected to each detector.

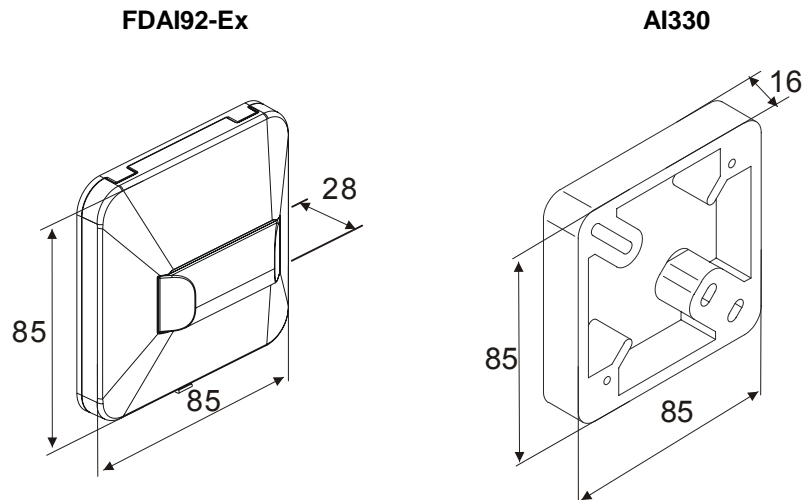
## Alarm indicators FDAI92-Ex

---

- Alarm indicator is mounted with two screws either directly or on a wall.
- For the following applications the FDAI92-Ex can be completed with AI330 adapter frame:
  - for surface laid conduit or ducts
  - to increase the loop space
  - as an adapter for different makes of box

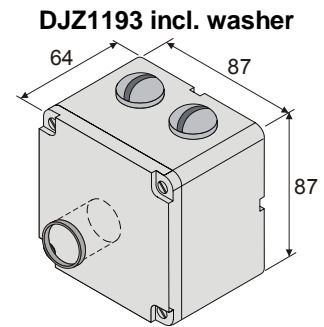
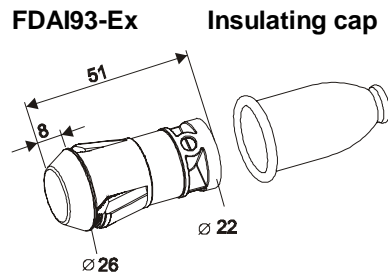
## Dimensions

---



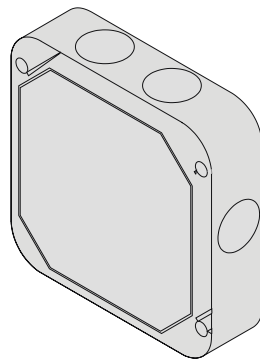
## Alarm indicator FDAI93-Ex

- Made of transparent plastic, the FDAI93-Ex alarm indicator is suitable for installation in door frames, switching panels, ceiling voids or special housings. The 22.5 mm Ø mounting hole is drilled by the system owner. The holder must be fitted with an insulating cap for safety.
- For installation in humid rooms the DJZ1193 and DCA1191 housings as well as a washer are available.
- The housing DJZ1193 has a hole for the mounting of one alarm indicator.
- Up to 4 alarm indicators can be built into the housing DCA1191. The 22.5 mm Ø mounting holes are drilled by the system owner.





**DCA1191**

**Washer**



## Technical data

	FDAI92-Ex	FDAI93-Ex
Operating voltage	4... 5 VDC	1.5 VDC
Operating current (continuous)	max. 35 mA	max. 20... 30 mA
Connection terminals	max. 1.5 mm <sup>2</sup>	max. 1.5 mm <sup>2</sup>
Ambient temperature	-25... +80 °C	-25... +80 °C
Humidity	≤95 % rel.	≤95 % rel.
Protection category EN60529 / IEC529	IP40	
- with DJZ1193	-	IP55
- with DCA1191	-	IP56
Color	white, ~RAL 9010	transparent plastic
- housing DJZ1193		white, ~RAL 9010
- housing DCA1191		white, ~RAL 9010
Ex classification	Ex ib IIC T6 (Ta ≤ 55 °C)	Ex ib IIC T6 (Ta ≤ 55 °C)
'simple apparatus' acc. to EN50020 § 5.4	Ex ib IIC T5 (Ta ≤ 70 °C)	Ex ib IIC T5 (Ta ≤ 70 °C)
Approvals	EECS, ESTI	EECS, ESTI, PTB
DNV GL (Marine)	MEDB00003UU	-
QS Standards	Fire protection industry certified quality assurance system according to EN ISO 9001:2000	

09 	<b>FDAI92-Ex</b>	Siemens Schweiz AG; Theilerstrasse 1a CH-6300 Zug Technical data: see doc. <b>A6V10260486</b>
	FDAI92-Ex - Alarm indicator for use in fire detection and fire alarm systems installed in buildings.	
	2014/30/EU (EMC): EN 50130-4 / EN 61000-6-3 ; 2011/65/EU (RoHS): 50581	
	The declared conformity can be seen in the EU Declaration of Conformity (DoC), which is obtainable via the Customer Support Center: Tel. +49 89 9221-8000 or <a href="https://siemens.com/bt/download">https://siemens.com/bt/download</a>	
	DoC No.: CED-FDAI92-Ex	
09 	<b>FDAI93-Ex</b>	Siemens Schweiz AG; Theilerstrasse 1a CH-6300 Zug Technical data: see doc. <b>A6V10260486</b>
	FDAI93-Ex - Alarm indicator for use in fire detection and fire alarm systems installed in buildings.	
	2014/30/EU (EMC): EN 50130-4 / EN 61000-6-3 ; 2011/65/EU (RoHS)	
	The declared conformity can be seen in the EU Declaration of Conformity (DoC), which is obtainable via the Customer Support Center: Tel. +49 89 9221-8000 or <a href="https://siemens.com/bt/download">https://siemens.com/bt/download</a>	
	DoC No.: CED-FDAI93-Ex	

## Details for ordering

	Type	Part no	Designation	Weight
Accessory	FDAI92-Ex	S54370-F3-A1	Alarm indicator, surface version	0.050 kg
	AI330	BPZ:3169430001	Adapter frame	0.020 kg
Spare part Accessories	FDAI93-Ex	S54370-F6-A1	Alarm indicator incl. insulating cap, flush version	0.010 kg
	-	BPZ:3048160001	Insulating cap	0.005 kg
	DJZ1193	BPZ:5302950001	Indicator housing, incl. washer	0.115 kg
	DCA1191	BPZ:4588560001	Housing with cover	0.265 kg
	-	BPZ:2473130001	Washer	0.001 kg

Issued by  
Siemens Switzerland Ltd  
Building Technologies Division  
International Headquarters  
Theilerstrasse 1a  
CH-6300 Zug  
Tel. +41 58 724 24 24  
[www.siemens.com/buildingtechnologies](http://www.siemens.com/buildingtechnologies)

© Siemens Switzerland Ltd, 2015  
Technical specifications and availability subject to change without notice.