

UTP7516GE-POE-4GF



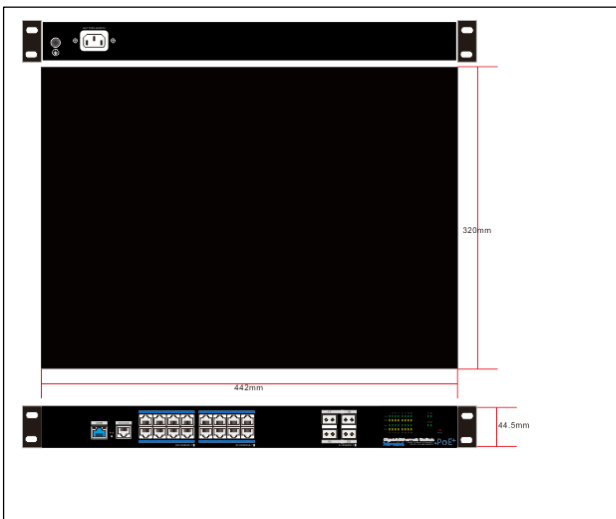
- provide 16* PoE Gigabit downlink RJ45 ports , 4* Gigabit uplink SFP ports
- Provide web-based layer 2 network management and PoE management by simple operation;
- Support high-speed data forwarding, very suitable for large flow of video data forwarding in security surveillance
- Support fast ring ,Self-healing in 20ms Min;
- Support temperature-controlled fan
- Quick Installation, simple operation, convenient for wall/desk/rack installation.



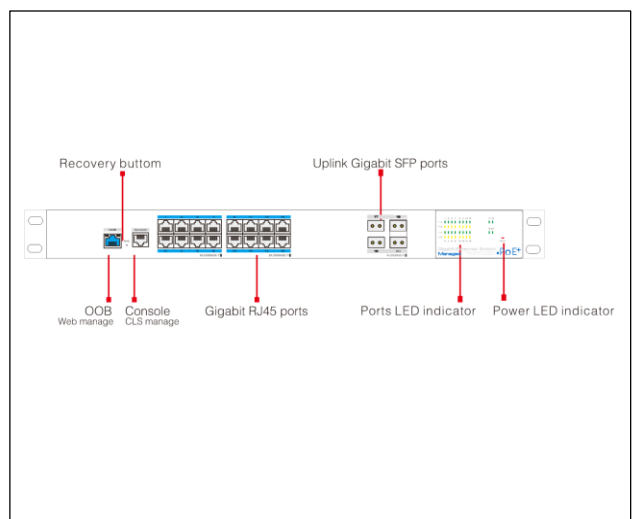
Introduction

The 16 PoE Gigabit ports managed Ethernet switch, which provide 16* PoE Gigabit downlink Ethernet ports , 4* Gigabit SFP ports uplink. The Products support IEEE 802.3 af/at ,support Web layer-2 network management and PoE management. Products are widely used in security surveillance, network engineering projects and so on.

Physical Features



Interface drawing



Specification

Hardware Features

Item	UTP7516GE-POE-4GF
Copper Ports	16* 10/100/1000Base-T PoE RJ45(Auto-MDI/MDI-X)
SFP Ports	4*1000 Base-X SFP(Mini-GBIC)
Console Port	1*RJ45-R232 serial port(115200,8,N,1)
OOB Port	1*10/100Base-TX RJ45(only used to Web management) default IP:192.168.1.200 name:admin password:admin)
Init button	Short press:restart; >5s restore factory settings
Network Standard	IEEE802.3 、 IEEE802.3u、 IEEE802.3ab、 IEEE802.3Z、 IEEE802.3X、 IEEE 802.1Q IEEE 802.1p IEEE 802.3ad 、 IEEE 802.1D、 IEEE 802.1X
Switch Fabric	40Gbps / non-blocking
Switch Throughput	29.8Mpps
Switch Architecture	Store and Forward
Shared Data Buffer	12Mbit
Address Table	16K MAC address table with auto learning function
Jumbo Frame	10K bytes
PoE Standard	802.3af/at(PSE)
PSE Type	End-span
Power Pin Assignment	1/2(+), 3/6(-)
PoE Power Output	54V DC , 30 watts max
PoE Budge	270 watts max
Lightning protection	6KV Execute IEC61000-4-5
ESD	6KV Contact discharge 8KV Air discharge Execute IEC61000-4-2
Power Supply	100~240VAC 50/60Hz,Auto-sensing
Power Dissipation	320W(Including PoE)
Work temperature	-10-50°C
Storage temperature	-40-85°C
Humidity	5%-95%(Non-condensing)
Dimension L×W×H	442mm×320mm×44.5mm
Weight	4.35kg
Regulator	CE、FCC、ROHS

Software Parameter	
Port Management	Support Port Enable/Disable;
	Support Port Rate Settings;
	Support Port Full-duplex Mode;
	Support IEEE802.3x Flow Control;
	Support Port Name Change;
VLAN	Support 4K VLAN
	Support 802.1Q Protocol-Based VLAN;
	Support Port-Based VLAN;
QoS	Support QoS;
	Support 8-Level Priority management for switching;
	Support WRR;
	Support 820.1P and DSCP Priority;
Multicast Management	Support SNMP V1/V2/V3 Protocol;
	Support IGMP Snooping;
POE Management	Support Total Power Consumption Control;
	Support PoE ON/OFF;
	Support Single Port 60W max. Power Change and Port Output Priority;
Safety Character	Support IP、MAC、Port、VLAN Combination and Binding;
	Support MAC address auto-learning, aging& filter;
	Support Port Isolation, Port Speed-Limited;
	Support RSTP;
	Support Fast-Ring;
	Support 5 groups of 8-Port trunk;
	Support RADIUS Authentication& 802.1X Authentication;
System Management& Maintenance	Support WEB Management, CLR Settings and telnet Settings;
	Support CLR Settings;
	Support FTP/TFTP/HTTP Web Upgrading;
	Support Flow Calculate;
	Support MAC address Form Search;
	Support IP Address, DNS Server Change
	Support Username& Password Change;
	Support History Record, Journal management;
	Support System settings Backup;

Package List

Designation	Quantity
UTP7516GE-POE-4GF	1
AC Power Line	1
Accessories	1
User Manual	1

Related Products

Designation	Model
24 Ports Gigabit PoE & 4*10Gigabit Managed Ethernet Switch	UTP7624GE-PoE-L3
24 Gigabit Ports & 4*10Gigabit Managed Ethernet Switch	UTP7624E-L3