



**DM1103H / DM1104H**

AlgoRex

**Manual call point 'Heavy Duty'**

CE

Collective

- 
- Manual call point to all fire detection system control units with collective detector evaluation
  - Extremely robust housing version made of glass fiber reinforced thermoplastic material (IP66)
  - For surface mounting suited for wet, humid and dusty areas
  - Manual call point DM1103H with indirect operation
  - Manual call point DM1104H with direct operation
  - Two-wire installation

## Characteristics

---

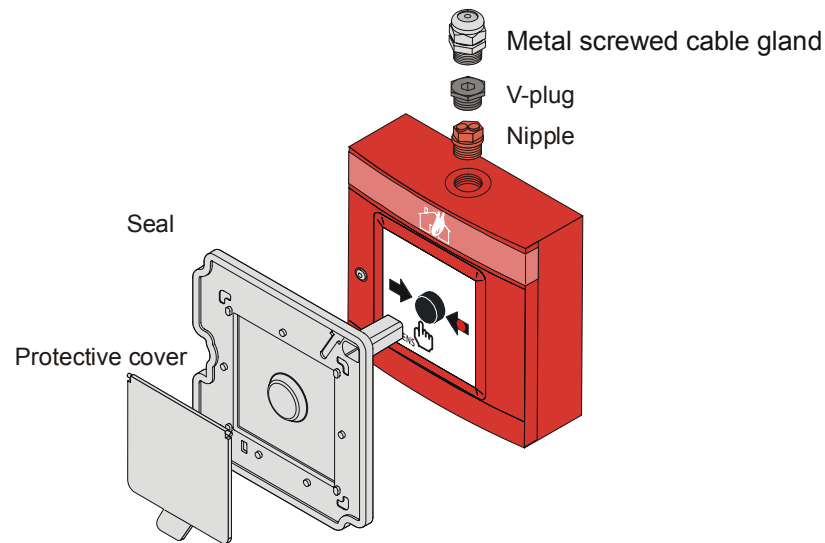
- **Environmental**
  - Ecologically processing
  - Recyclable materials
  - Electronic and synthetic material simple separable
- **Characteristics**
  - Protected electronic
  - Alarm indicator (LED) built-in

## Manual call point

---

A protective cover DMZ1197-AC (accessory part) protects the manual call point from unintentional glass break.

A seal DMZ1197-AD (accessory part) protects the manual call point in wet applications.



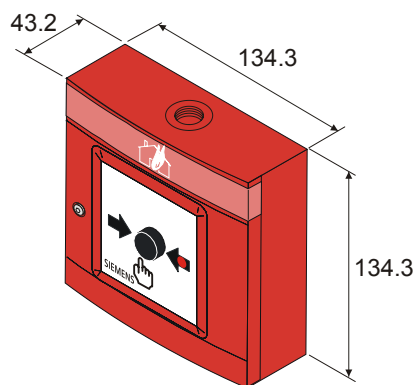
- **Function DM1103H**
  - Indirect alarm actuation by smashing in the glass plate and pressing the push button
  - To replace the glass plate, open the housing door with an Allen key. The push button must be set back before closing the door again
- **Function DM1104H**
  - Direct alarm actuation by smashing in the glass plate
  - To replace the glass plate, open the housing door with an Allen key, upon closing the door the button is reset
- **Application**
  - For the immediate manual actuation of a fire alarm or an extinguishing process
  - For indoor and outdoor application, equally suited for wet, humid and dusty areas
  - Only for surface mounted feed lines in easily accessible places
  - Tunnels, Industry

## Installation

---

- The housing is equipped with **one** opening at the top and **two** openings at the bottom for nipples (enclosed) and for M20 metal cable glands (accessory part)
- For IP66 applications the unused openings must be locked with the V-plug (accessory part)

## Dimensions



## Technical data

Operating voltage modulated	DC 16...26 V	
Max. current, permanent	60 mA	
Max. current pulsating	100 mA	
Connection terminals	0,28...1,5 mm <sup>2</sup>	
Operating temperature	-25...+70 °C	
Storage temperature	-30...+75 °C	
Humidity (no condensation)	≤95 % rel.	
Connection factor KMK	1	
Color	red, ~RAL 3000	
Protection category IEC 60529		
– with seal DMZ1197-AD	IP66	
Standards	EN 54-11	
Approvals	DM1103H	DM1104H
– VdS	G205006	G205007
– LPCB	–	531j/03
System compatibility	Compatible to all fire detection system control units with collective detector evaluation	

08 <b>CE</b> 0786	<b>DM1103H</b>	Siemens Schweiz AG; Theilerstrasse 1a CH-6300 Zug Technical data: see doc. <b>001720</b>
DM1103H - Manual callpoint for use in fire detection and fire alarm systems installed in buildings.		
305/2011/EU (CPR): EN 54-11 ; 2014/30/EU (EMC): EN 50130-4 / EN 61000-6-3 ; 2011/65/EU (RoHS): EN 50581		
The declared performance and conformity can be seen in the Declaration of Performance (DoP) and the EU Declaration of Conformity (DoC), which is obtainable via the Customer Support Center: Tel. +49 89 9221-8000 or <a href="http://siemens.com/bt/download">http://siemens.com/bt/download</a>		
DoP No.: 0786-CPR-20269; DoC No.: CED-DM1103H		

08 <b>CE</b> 0786	<b>DM1104H</b>	Siemens Schweiz AG; Theilerstrasse 1a CH-6300 Zug Technical data: see doc. <b>001721</b>
DM1104H - Manual callpoint for use in fire detection and fire alarm systems installed in buildings.		
305/2011/EU (CPR): EN 54-11 ; 2014/30/EU (EMC): EN 50130-4 / EN 61000-6-3 ; 2011/65/EU (RoHS): EN 50581		
The declared performance and conformity can be seen in the Declaration of Performance (DoP) and the EU Declaration of Conformity (DoC), which is obtainable via the Customer Support Center: Tel. +49 89 9221-8000 or <a href="http://siemens.com/bt/download">http://siemens.com/bt/download</a>		
DoP No.: 0786-CPR-20270; DoC No.: CED-DM1104H		

## Details for ordering

	Type	Part no	Designation	Weight
DM1103H / DM1104H	FDMH292-R	A5Q00005525	Housing red with glass, hexagon wrench key, 3 nipples (2 holes) and plate (Feuerwehr / Brandmelder)	0.297 kg
	DMA1103D	A5Q00004470	Switching unit to DM1103H	0.067 kg
	DMA1104D	A5Q00005925	Switching unit to DM1104H	0.070 kg
Accessories	DMZ1197-AC	BPZ:5223550001	Protective cover	0.012 kg
	DMZ1197-AD	BPZ:5470680001	Seal for wet areas	0.023 kg
	–	A5Q00004478	Metal screwed cable gland M20x1.5	0.039 kg
	–	A5Q00008131	V-plug PA M20 x 1.5	0.005 kg
Spare parts	DMZ1196-AC	BPZ:4942050001	Glass	0.016 kg
	–	A5Q00006735	Nipple red, M20 x 1.5 (1 hole)	0.007 kg
	–	A5Q00010055	Nipple red, M20 x 1.5 (2 hole)	0.007 kg

## Disposal



The device is considered an electronic device for disposal in accordance with the European Guidelines and may not be disposed of as domestic garbage.

- Dispose of the device through channels provided for this purpose.
- Comply with all local and currently applicable laws and regulations.