

Cerberus™ PRO

Zone module, external powered

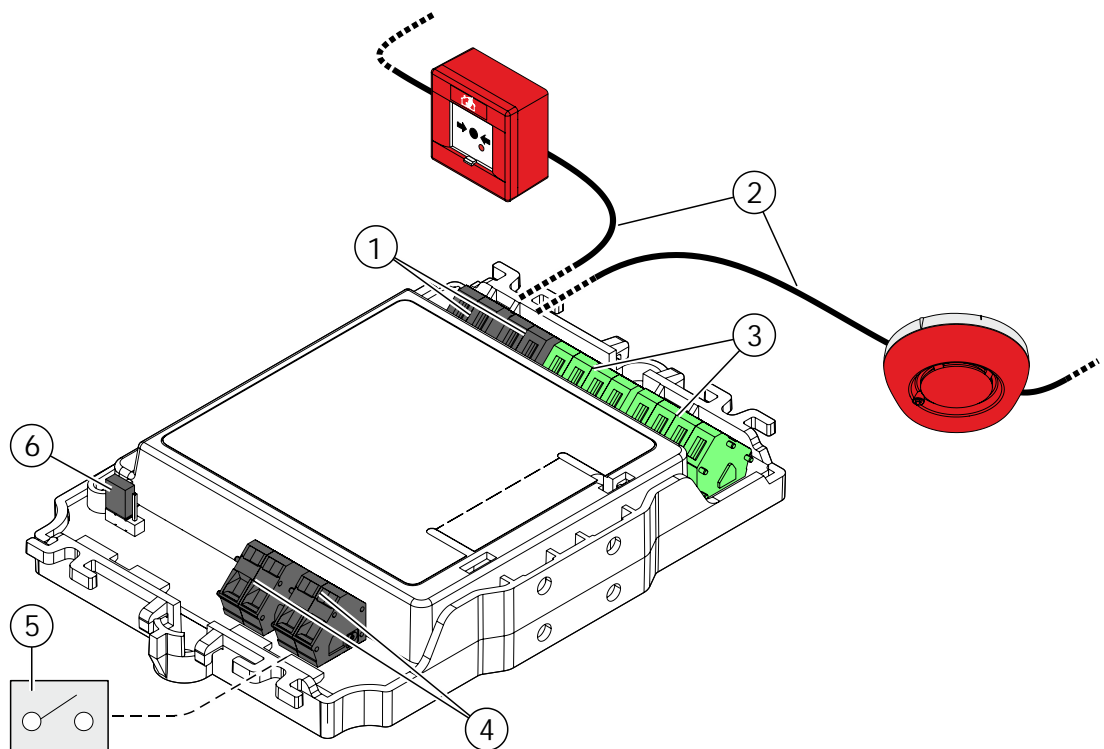
FDCI723



- Detector line (collective or conventional 110 series, DS11, SynoLINE300/600)
- LED indicator for detector line status: fault, test, etc.
- Two-wire installation for all cable types
- DC 24 V power supply, external, tested to EN 54-4 (detector lines electrically isolated)
- Microprocessor-controlled signal processing
- Communication via C-NET (addressed individually)
- Can be used in dry, dusty, and humid areas
- Different mounting options

- Environmentally friendly processing
- Reusable materials
- Electronic parts and synthetic materials can be easily separated
- Transparent housing, ensuring that LED indicators are easy to see
- Protected electronics
- Integrated line separator
- Easy mounting using snap fastener
- Can be used in dry areas
- Housing FDCH221 can be used in dusty and humid environments.

For connecting to collective or conventional fire detectors (with safety barrier SB3 for areas at risk of explosion).



- | | | | |
|---|---|---|--|
| 1 | Connections for the C-NET detector line | 4 | Detector line input connections
Max. 32 detectors per line |
| 2 | C-NET detector line | 5 | Contact input |
| 3 | External supply DC 24 V | 6 | Jumper for activation/deactivation of
ground fault monitoring |

!	
	<p>Failure to observe country-specific safety regulations can cause injury to persons and damage to property.</p> <ul style="list-style-type: none"> Observe country-specific regulations and comply with the corresponding safety directives.

The detector line parameters can be set for:

- Collective detector line 110 series, DS11, SynoLINE600
or
- Conventional detector line SynoLINE300
or
- Collective detector line DS11, Ex with safety barrier SB3

Detector line is monitored for:

- Quiet, alarm, open line, short-circuit, fault, and ground fault

Status display by means of LED.

FDCI723	Zone module, external powered	S54322-F6-A1	0.106
---------	-------------------------------	--------------	-------

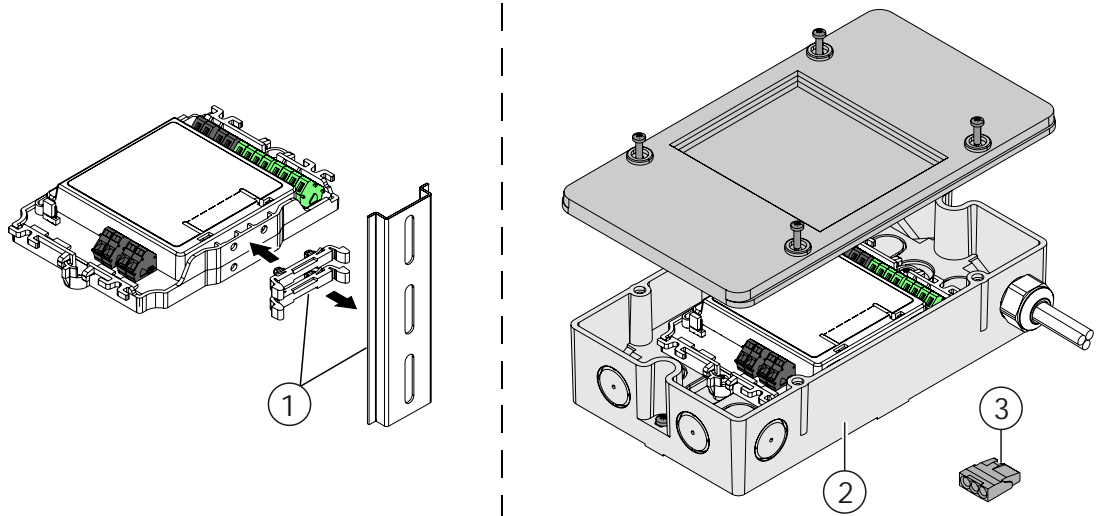
FDCH221	Housing with cover, seal, and screws	S54312-F3-A1	0.282
-	Metal cable gland M20 x 1.5	A5Q00004478	0.036
-	M20 metal counter nut	A5Q00004479	0.006
FDCM291	Mounting foot	A5Q00003855	0.001
DBZ1190-AB	0.5...2.5 mm ² (3-pin) connection terminal	BPZ:4942340001	0.001

A6V10229261	List of compatibility (for 'Cerberus™ PRO' product line)
A6V10414910	Technical manual Zone module, external powered FDCI723
001204	Principles, applications, installation, maintenance Fire alarm signal in areas at risk of explosion

Related documents such as the environmental declarations, CE declarations, etc., can be downloaded from the following Internet address:

<https://siemens.com/bt/download>

- Mounting on U-rail TS35 (series mounting)
- In housing FDCH221 with cover, seal, and screws



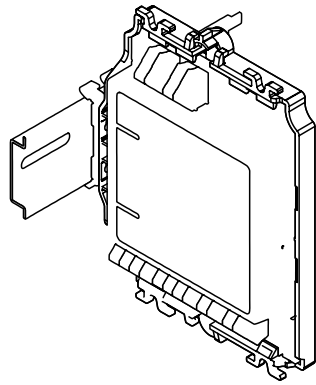
- 1 Series mounting using mounting feet supplied, on U-rail TS35
- 2 Mounting in separate housing FDCH221 (accessory)
- 3 Use auxiliary terminals DBZ1190-AB (accessory) for shielded cables



The device is considered an electronic device for disposal in accordance with the European Guidelines and may not be disposed of as domestic garbage.

- Dispose of the device through channels provided for this purpose.
- Comply with all local and currently applicable laws and regulations.

C-NET operating voltage	DC 12...33 V
External power supply	Tested to EN 54-4
• Operating voltage	DC 18...32 V
Collective detector line	
• Collective line code (KLK)	32
• End-of-line (EOL)	20 V voltage reference diode or EOL22 (Ex)
Operating temperature	-20...+55 °C
Storage temperature	-30...+70 °C
Air humidity, non-condensing	≤95 % rel.
Communication protocol	C-NET
Pluggable connection terminals	0.2...1.5 mm ²
Color	
• Input/output module rack, back box	~RAL 9010, pure white
• Cover cap, housing cover	Transparent matt
EN 60529 / IEC 60529 protection category	
• Without housing	IP30
• With housing FDCH221	IP65
Standards	EN 54-17, EN 54-18
Approvals	
• VdS	G215004
• LPCB	-
Compatibility	See 'List of compatibility'



Issued by
Siemens Switzerland Ltd
Building Technologies Division
International Headquarters
Theilerstrasse 1a
CH-6300 Zug
Tel. +41 58 724 2424
www.siemens.com/buildingtechnologies

© Siemens Switzerland Ltd, 2015
Technical specifications and availability subject to change without notice.